



PHONE NO. 800-448-2343 • FAX NO. 330-744-1228 • www.glipoolproducts.com

# CUSTOM ORDER FORM

Pattern _____	Mil _____
<b>Shipping:</b> <input type="checkbox"/> UPS Ground <input type="checkbox"/> Common Carrier <input type="checkbox"/> 1-Day Air <input type="checkbox"/> Other <input type="checkbox"/> 2-Day Air	<b>24 Hour Express Service</b> <input type="checkbox"/> Express Service

**DISTRIBUTOR INFORMATION**

DISTRIBUTOR NAME \_\_\_\_\_  
 DISTRIBUTOR ADDRESS \_\_\_\_\_  
 CITY \_\_\_\_\_ STATE \_\_\_\_\_ ZIP \_\_\_\_\_  
 CONTACT \_\_\_\_\_  
 PHONE \_\_\_\_\_ FAX \_\_\_\_\_  
 EMAIL ADDRESS \_\_\_\_\_  
 TAG NAME \_\_\_\_\_

**SHIP TO**

DEALER NAME \_\_\_\_\_  
 DEALER ADDRESS \_\_\_\_\_  
 CITY \_\_\_\_\_ STATE \_\_\_\_\_ ZIP \_\_\_\_\_  
 CONTACT \_\_\_\_\_  
 PHONE \_\_\_\_\_ FAX \_\_\_\_\_  
 EMAIL ADDRESS \_\_\_\_\_  
 PO# \_\_\_\_\_

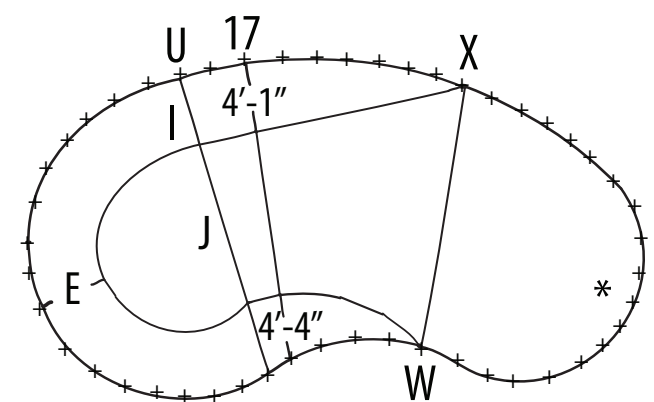
<b>Fiberglass Steps</b> <input type="checkbox"/> YES <input type="checkbox"/> NO <small>(If yes, please mark location of step on drawing below)</small>	<b>Vinyl Covered Steps</b> <input type="checkbox"/> YES <input type="checkbox"/> NO <small>(If yes, please fill out GLI step form and draw location on top view of drawing)</small>	<b>Corner Type</b> <input type="checkbox"/> Square <input type="checkbox"/> Radius _____ ft./in. _____ <input type="checkbox"/> Diagonal _____ ft./in. _____	<b>Safety Ledge</b> <input type="checkbox"/> YES _____ in. <input type="checkbox"/> NO	<b>Wall (circle one)</b> Beaded Overlap _____ in. Overlap w/ Tile _____ in.
--	--	---	--	--

	A	B		A	B		A	B
1			17			33		
2			18			34		
3			19			35		
4			20			36		
5			21			37		
6			22			38		
7			23			39		
8			24			40		
9			25			A	B	
10			26			U		
11			27			V		
12			28			W		
13			29			X		
14			30			E		
15			31			I		
16			32			J		
						C - Wall Height		
						D - Overall Depth		

**CUSTOM** FOLLOWING THE EXAMPLE BELOW, USE THE SPACE PROVIDED TO DRAW A SKETCH OF THE POOL.

If the sides of the transition slope are curved, please provide the following measurements. Run a tape measure across the pool from one point to another point. Then measure from the left edge of the pool to the left edge of the transition slope and then from the right edge of the pool to the right edge of the transition slope. (See example below) Intervals should be no more than 2' apart.

Measure the pool perimeter using A-B measurements. In addition, measure the location of the break lines (U,V,W,X) **SAMPLE DRAWING ONLY: DRAW YOUR POOL IN THE SPACE PROVIDED ABOVE.**



FROM	17								
TO	44								
LEFT	4'-1"								
RIGHT	4'-4"								



PHONE NO. 800-448-2343 • FAX NO. 330-744-1228 • www.glipoolproducts.com

# TRUE-L & LAZY-L ORDER FORM

Pattern _____	Mil _____
<b>Shipping:</b> <input type="checkbox"/> UPS Ground <input type="checkbox"/> Common Carrier <input type="checkbox"/> 1-Day Air <input type="checkbox"/> Other <input type="checkbox"/> 2-Day Air	<b>24 Hour Express Service</b> <input type="checkbox"/> Express Service

**DISTRIBUTOR INFORMATION**

DISTRIBUTOR NAME \_\_\_\_\_

DISTRIBUTOR ADDRESS \_\_\_\_\_

CITY \_\_\_\_\_ STATE \_\_\_\_\_ ZIP \_\_\_\_\_

CONTACT \_\_\_\_\_

PHONE \_\_\_\_\_ FAX \_\_\_\_\_

EMAIL ADDRESS \_\_\_\_\_

TAG NAME \_\_\_\_\_

**SHIP TO**

DEALER NAME \_\_\_\_\_

DEALER ADDRESS \_\_\_\_\_

CITY \_\_\_\_\_ STATE \_\_\_\_\_ ZIP \_\_\_\_\_

CONTACT \_\_\_\_\_

PHONE \_\_\_\_\_ FAX \_\_\_\_\_

EMAIL ADDRESS \_\_\_\_\_

PO# \_\_\_\_\_

<b>Fiberglass Steps</b> <input type="checkbox"/> YES <input type="checkbox"/> NO (if yes, please mark location of step on drawing below)	<b>Vinyl Covered Steps</b> <input type="checkbox"/> YES <input type="checkbox"/> NO (if yes, please fill out GLI step form and draw location on top view of drawing)	<b>Corner Type</b> <input type="checkbox"/> Square <input type="checkbox"/> Radius _____ ft./in. _____ <input type="checkbox"/> Diagonal _____ ft./in. _____	<b>Safety Ledge</b> <input type="checkbox"/> YES _____ in. <input type="checkbox"/> NO	<b>Wall (circle one)</b> Beaded Overlap _____ in. Overlap w/ Tile _____ in.
---	---	---	--	--

**HOPPER PAD TYPE**

Rectangle  Oval  Grecian  Radius \_\_\_\_\_ inches

A \_\_\_\_\_ E \_\_\_\_\_ I \_\_\_\_\_ L \_\_\_\_\_ Diag. 1 \_\_\_\_\_

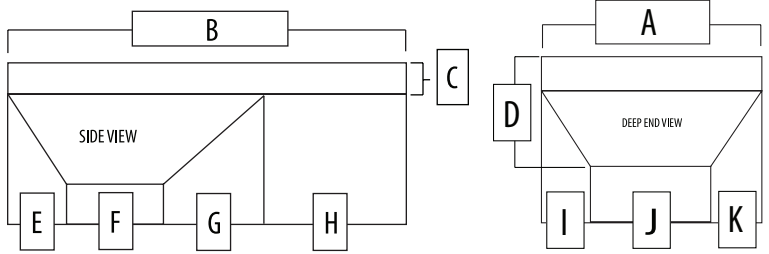
B \_\_\_\_\_ F \_\_\_\_\_ J \_\_\_\_\_ M \_\_\_\_\_ Diag. 2 \_\_\_\_\_

C \_\_\_\_\_ G \_\_\_\_\_ K \_\_\_\_\_ N \_\_\_\_\_ Diag. 3 \_\_\_\_\_

D \_\_\_\_\_ H \_\_\_\_\_ O \_\_\_\_\_ P \_\_\_\_\_

Diag. 4 \_\_\_\_\_

Diag. 5 \_\_\_\_\_



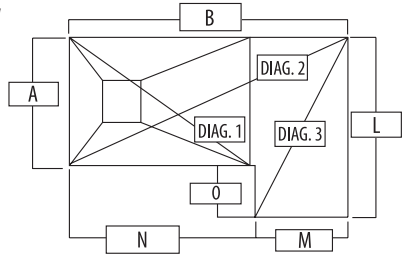
**True-L - Right shown below**

**True-L Direction \***

Right  
 Left

**Reverse Corner Type**

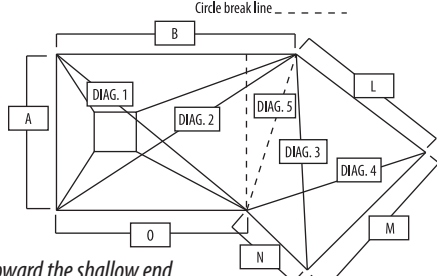
Square  
 Radius \_\_\_\_\_ in.  
 Diag. \_\_\_\_\_ in.



**Lazy-L - Right shown below**

**Lazy-L Direction \***

Right  
 Left



\* Pool direction is determined by standing at the deep end of the pool looking toward the shallow end.

**Vinyl Covered Steps (check appropriate shape below)**

	A	
	B	
*	C	
**	D	
**	E	
**	F	
***	G	
***	H	
***	I	
***	J	
	K	
	L	

**Top Step Corners:**

Square  
 Radius \_\_\_\_\_ inches  
 Diagonal \_\_\_\_\_ inches

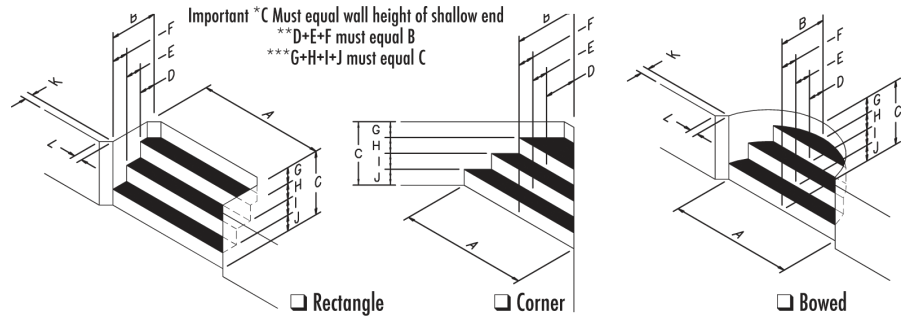
**Tread & Riser Material Pattern:**

Same as floor (standard)  
 White Non-Skid  
 Blue Non-Skid

**Rod Pockets:**  Yes  No

**Size** \_\_\_\_\_  
Diameter of rod

**Nailer Flaps:**  Yes  No



**Step Location:**

Center End Shallow  
 Other (Provide Drawing)

**Step Setback:**  Yes  No  
 If yes, see below.

**Setback Width (K)** \_\_\_\_\_ inches

Straight  Angled (L) \_\_\_\_\_ inches

**DIAGONAL MEASUREMENTS MUST BE TAKEN TO IMAGINARY SQ. CORNERS.**



PHONE NO. 800-448-2343 • FAX NO. 330-744-1228 • www.glipoolproducts.com

# RECTANGLE - OVAL - GRECIAN ORDER FORM

Pattern _____	Mil _____
<b>Shipping:</b> <input type="checkbox"/> UPS Ground <input type="checkbox"/> 1-Day Air <input type="checkbox"/> 2-Day Air	<input type="checkbox"/> Common Carrier <input type="checkbox"/> Other <b>24 Hour Express Service</b> <input type="checkbox"/> Express Service

## DISTRIBUTOR INFORMATION

DISTRIBUTOR NAME \_\_\_\_\_  
 DISTRIBUTOR ADDRESS \_\_\_\_\_  
 CITY \_\_\_\_\_ STATE \_\_\_\_\_ ZIP \_\_\_\_\_  
 CONTACT \_\_\_\_\_  
 PHONE \_\_\_\_\_ FAX \_\_\_\_\_  
 EMAIL ADDRESS \_\_\_\_\_  
 TAG NAME \_\_\_\_\_

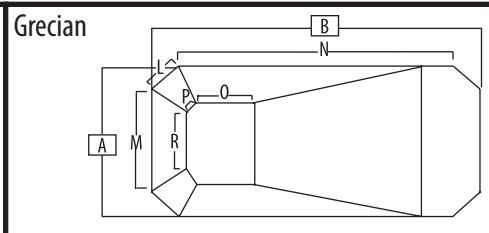
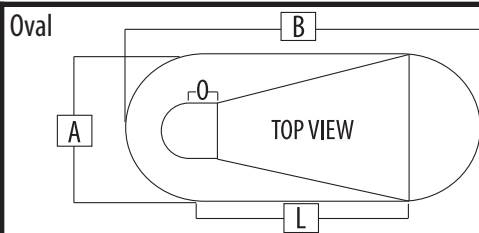
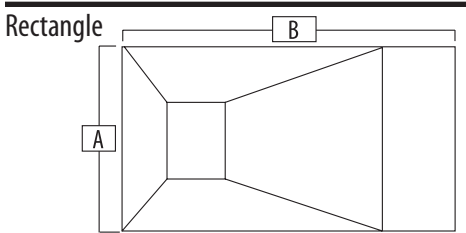
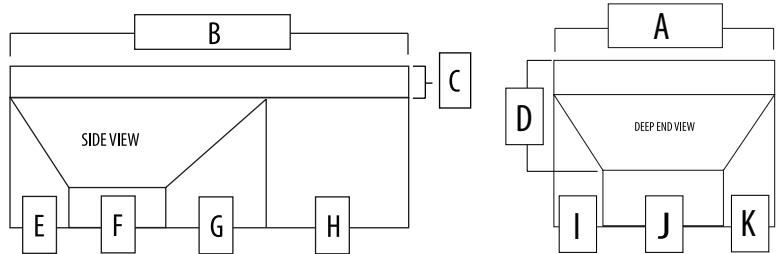
## SHIP TO

DEALER NAME \_\_\_\_\_  
 DEALER ADDRESS \_\_\_\_\_  
 CITY \_\_\_\_\_ STATE \_\_\_\_\_ ZIP \_\_\_\_\_  
 CONTACT \_\_\_\_\_  
 PHONE \_\_\_\_\_ FAX \_\_\_\_\_  
 EMAIL ADDRESS \_\_\_\_\_  
 PO# \_\_\_\_\_

<b>Fiberglass Steps</b> <input type="checkbox"/> YES <input type="checkbox"/> NO <small>(if yes, please mark location of step on drawing below)</small>	<b>Vinyl Covered Steps</b> <input type="checkbox"/> YES <input type="checkbox"/> NO <small>(if yes, please fill out GLI step form and draw location on top view of drawing)</small>	<b>Corner Type</b> <input type="checkbox"/> Square <input type="checkbox"/> Radius _____ ft./in. _____ <input type="checkbox"/> Diagonal _____ ft./in. _____	<b>Safety Ledge</b> <input type="checkbox"/> YES _____ in. <input type="checkbox"/> NO	<b>Wall (circle one)</b> Beaded Overlap _____ in. Overlap w/ Tile _____ in.
--	--	---	--	--

## HOPPER PAD TYPE

Rectangle  Oval  Grecian  Radius \_\_\_\_\_ inches  
 A \_\_\_\_\_ E \_\_\_\_\_ I \_\_\_\_\_ L \_\_\_\_\_ R \_\_\_\_\_  
 B \_\_\_\_\_ F \_\_\_\_\_ J \_\_\_\_\_ M \_\_\_\_\_  
 C \_\_\_\_\_ G \_\_\_\_\_ K \_\_\_\_\_ N \_\_\_\_\_  
 D \_\_\_\_\_ H \_\_\_\_\_ O \_\_\_\_\_  
 P \_\_\_\_\_



## Vinyl Covered Steps (check appropriate shape below)

	A
	B
*	C
**	D
**	E
**	F
***	G
***	H
***	I
***	J
	K
	L

**Top Step Corners:**

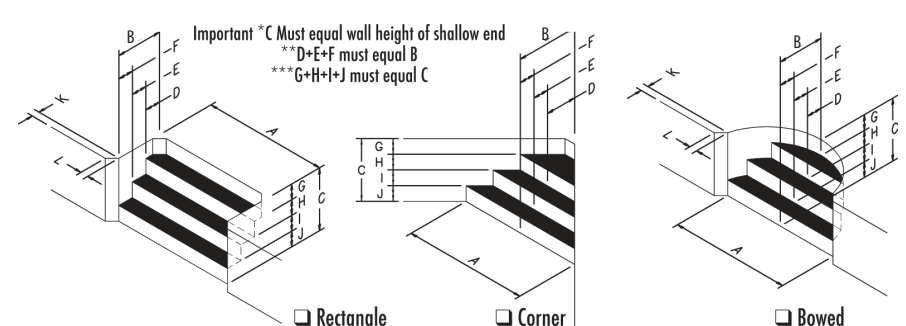
Square  
 Radius \_\_\_\_\_ inches  
 Diagonal \_\_\_\_\_ inches

**Tread & Riser Material Pattern:**

Same as floor (standard)  
 White Non-Skid  
 Blue Non-Skid

**Rod Pockets:**  Yes  No  
 Size \_\_\_\_\_  
Diameter of rod

**Nailer Flaps:**  Yes  No



**Step Location:**

Center End Shallow  
 Other (Provide Drawing)

**Step Setback:**  Yes  No  
If yes, see below.

Setback Width (K) \_\_\_\_\_ inches  
 Straight  Angled (L) \_\_\_\_\_ inches