

SAFETY COVER WARRANTY

The manufacturer warrants the safety cover to be a product of the finest workmanship. Subject to conditions set herein, the manufacturer agrees at its option to replace or repair any component which, to our satisfaction, proves defective either in workmanship or material, F.O.B. its factory, from the original date of purchase within the warranty periods listed below. After the full warranty period expires, the same will be supplied or repaired, at the manufacturer's option, upon payment of a charge in accordance with the then retail selling price. The following schedule sets forth the percentage of the retail price according to the type of cover purchased.

PREMIUM MESH OR SOLID SAFETY COVER: 15-YEAR LIMITED, 3-YEARS FULL	STANDARD MESH: 12-YEAR LIMITED, 2-YEARS FULL	ECONOMY MESH OR SOLID SAFETY COVER: 10-YEAR LIMITED, 1-YEAR FULL
First 3 years----- 0%	First 2 years----- 0%	First year ----- 0%
4 to 8 years ----- 50%	3 to 6 years ----- 50%	2 to 5 years ----- 50%
9 to 15 years----- 75%	7 to 12 years----- 75%	6 to 10 years----- 75%

Limitations and Exclusions:

This warranty relates only to manufacturing defects and does not cover discoloration, damage or failure resulting from other causes, including, but not limited to, acts of God, improper installation, improper maintenance, use during snow season with the pool water more than 18" below the pool coping, misuse or abuse, consumer negligence, design alteration, accident, fire, ice, exposure to excessive heat or cold, water loss, material breakdown due to sun degradation, mildew and natural aging.

The manufacturer is not liable for freight, installation, service or labor costs.

Additional Exclusions:

- Material damage or fading due to sun or chemical exposure
- Damage caused by animals
- Tree limbs or other sharp objects piercing cover
- Burn holes caused by reflection, burning leaves, cigarettes, etc.
- Abrasions from excessive wind moving cover or abrasion from rough coping.

Although any warranties implied are limited to the stated period after the date sold to the original purchaser, some states and/or provinces do not allow limitations on the length of time of an implied warranty. Therefore, the above may not apply in such states and/or provinces. Any claimant under this warranty has specific legal rights and the provisions of the warranty are neither a modification nor subtraction, but rather, an addition to the statutory warranties and other rights and remedies contained in the applicable state or provincial legislation.

The manufacturer will not be liable for any incidental or consequential damages resulting from any defects in workmanship or material. Some states and/or provinces do not allow the exclusion or limitation of incidental or consequential damages, therefore the foregoing limitation or exclusion may not apply.

This warranty gives the original consumer purchaser specific legal rights. The purchaser also has implied warranty rights. In the event of a problem with warranty service or performance, you may be able to go to a small claims court, a state court or a federal district court.

For warranty, installation and product use information on your Safety Cover, please contact the manufacturer.

IMPORTANT NOTICE

ALL WARRANTY AND CHARGEABLE REPAIRS WILL BE ACCEPTED AT ANY TIME THROUGHOUT THE YEAR. IT IS ADVISABLE TO RETURN COVERS BEFORE AUGUST 1ST TO AVOID ANY DELAYS. PLEASE CALL 1-800-448-2343 FOR RETURN AUTHORIZATION AND COMPLETE DETAILS. COVER WILL NOT BE ACCEPTED WITHOUT AN RGA.

TO FILE A CLAIM:

1. Please call 800-448-2343 between the hours of 8:30 a.m. - 5:00 p.m. standard time Monday - Friday.
2. Please allow 4 - 6 weeks for warranty claims to be settled.

WARNING

AVOID DROWNING RISK

STAY OFF COVER.
 SUPERVISE CHILDREN.
 REMOVE COVER COMPLETELY BEFORE USE.
 IMPROPERLY SECURED COVERS ARE A HAZARD.
 FAILURE TO FOLLOW ALL INSTRUCTIONS MAY RESULT IN INJURY OR DROWNING.
 MEETS OR EXCEEDS STANDARD PERFORMANCE SPECIFICATION SET FORTH IN ASTM: F1346-91 FOR MANUAL SAFETY COVER.
 INSPECT COVER ANNUALLY FOR DAMAGE.
 DO NOT REMOVE THIS LABEL.

DATE INSTALLED:

215 SINTER COURT • YOUNGSTOWN, OHIO 44510
1-800-448-2343



**ALL WARRANTY CLAIMS MUST BE HANDLED DIRECTLY WITH THE MANUFACTURER.
DO NOT RETURN SAFETY COVER TO YOUR DEALER.**

REGISTER WARRANTY ONLINE AT WWW.GLIPOOLPRODUCTS.COM.

Please register within 10 days of purchase.

SAFETY COVER SYSTEMS

INSTALLATION & MAINTENANCE INSTRUCTIONS FOR RECTANGULAR AND CUSTOM COVERS

IMPORTANT: Do not drag cover on pool deck or any rough surface. Dragging cover on rough surface will cause scuffing, abrasions and/or holes. Damage due to dragging cover on rough surface is specifically excluded from cover warranty.

INSTALLING A RECTANGULAR AND CUSTOM COVER

PLEASE NOTE:

- If a cover is going to be anchored into a raised bond beam, spa wall, waterfall, etc., proceed to the instructions on pages 3.
- It is best to have pool water at operating level for safety cover installation.
- If installing a "Replacement / Template" Safety Cover, please proceed to instructions on page 4.

STEP 1:

- Inspect the area 3' back from the water's edge around the entire pool. Remove any irregular obstructions that may protrude through the cover. Pad rough coping, sharp edges, and inside corners to help protect cover from excessive wear.

STEP 2:

- Measure exact dimensions of the pool and cover to determine overlap. Example: If cover is 2' longer and wider than pool, your overlap will be 1' all the way around pool. If cover is 3' longer and wider than pool, your overlap will be 1'6" all the way around pool.

STEP 3:

- Stretch cover across pool, keeping even overlap on all sides.

STEP 4:

- See FIG.1. Locate and mark anchor position for straps 1, 2, 3 and 4.
- To determine how far from pools edge to drill anchor, add cover overlap plus 22". Example: If cover overlap is 12", anchor setback will be $12" + 22" = 34"$ setback from edge of pool. If pool has 18" overlap, anchor setback will be $18" + 22" = 40"$ from edge of pool.
- If you do not have sufficient deck to reach the suggested anchor setback noted above, spring adjustments should be made adjusting them closer to the covers edge.

STEP 5:

- Install anchors and springs for straps 1, 2, 3 and 4. See page 2 - 3 for anchor and spring installation. Attached springs to anchors using installation tool.

STEP 6:

- Locate and install anchors and springs for straps 5, 6, 7 and 8.

STEP 7:

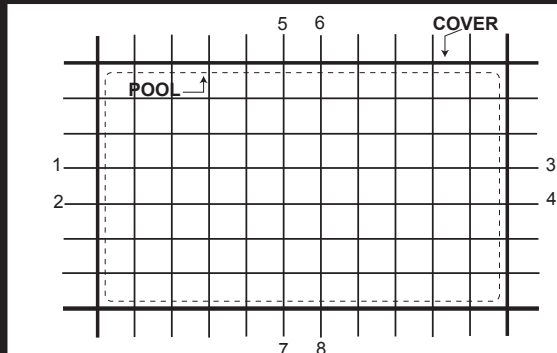
- After completing the initial installation of the first 8 anchors, install remaining anchors working from center of the cover to the ends. Remember to alternate sides and to attach and secure each spring as each anchor is installed.
- Note: For rectangular covers, snap a chalk line along the perimeter of the pool using anchors 1-8 as a guide. Chalk line should be parallel to the pool, this will ensure that all anchors will be aligned.

STEP 8:

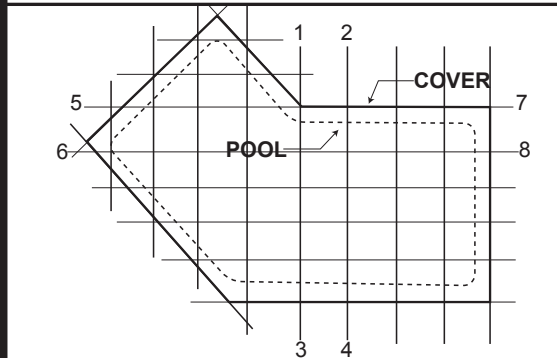
- Once all anchors and springs are in place, adjust spring tension equally on all springs, making sure overlap is equal all the way around pool and that cover lies perfectly flat. Springs should be compressed about 60% to 70% for taut fit.

FIG. 1

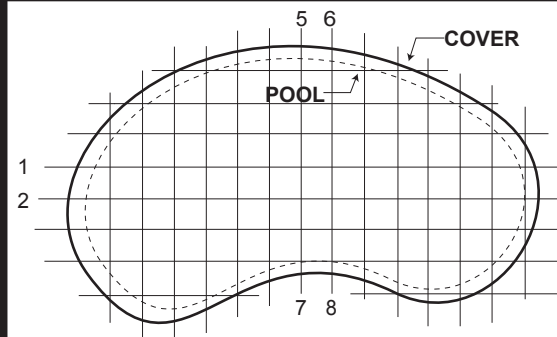
RECTANGLE COVER



LAZY-L COVER



CUSTOM COVER



IMPORTANT AFTER INSTALL NOTES:

- Be sure not to drop water level more than 18" from top of pool during winter months. Failure to do so will place undue strain on the cover and void the warranty.
- Solid cover must be adjusted after installation to ensure that water does not collect on top of cover. After installation, flood cover with water. If standing water forms puddles that do not drain, simply loosen strap on either side of the drain and tighten straps in the areas with standing water.

WOOD ANCHOR INSTALLATION

STEP 1:

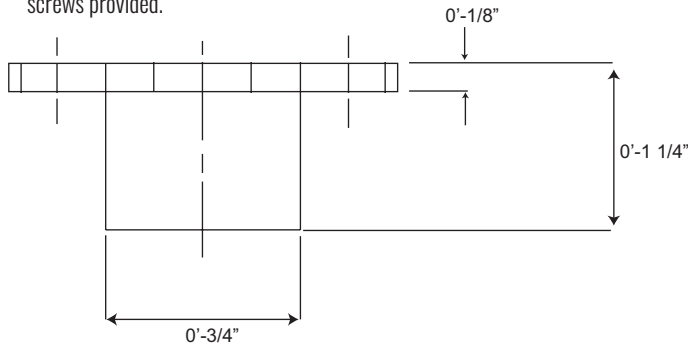
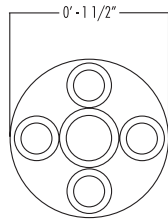
- Install wood deck anchor by drilling a 1-1/2" diameter hole to a depth of 1/8" with a wing bit.

STEP 2:

- Drill a 3/4" diameter hole in the center of the wing bit hole to a final depth of 1-1/4".

STEP 3:

- Insert anchor casing in hole and attach with (4) brass screws provided.



STANDARD ANCHOR INSTALLATION

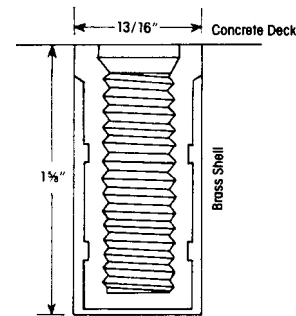
STEP 1:

- Install brass anchors by drilling 3/4" diameter holes to a depth of 2". Bevel or ream the top of the hole for flush fit.
- Remove anchor screw from casing. Spray anchor, screw casing and aluminum tamping tool with silicone.

STEP 2:

- Insert tamping tool and tap the retainer into place. Then insert the anchor screw using the hex key.

BRASS ANCHOR



CUSTOM DECK INSTALLATION

If anchoring into lawn, planter or other loose ground, use GLI 18" Lawn Tube:

- Lawn tube comes with anchor pre-installed flush to top of lawn tube.
- Locate anchor position. Using a hardwood block and mallet, tap the lawn tube into place.

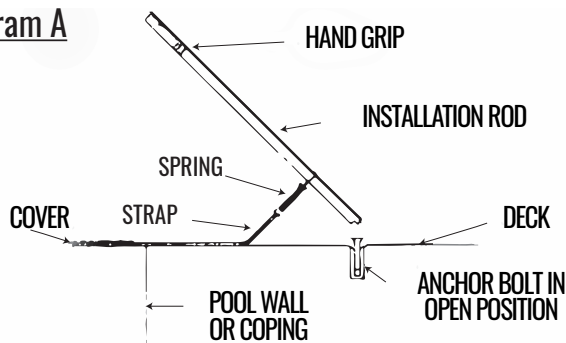
If anchoring into brick, stone or pavers, use GLI 9" Paver Tube:

- Paver Tube comes with anchor pre-installed flush to top of paver tube.
- Locate anchor position and drill 1" hole. Drill hole 9-1/4" deep.
- Using a mallet and GLI paver tube tamping pin, tap the paver tube into place.

COVER INSTALLATION

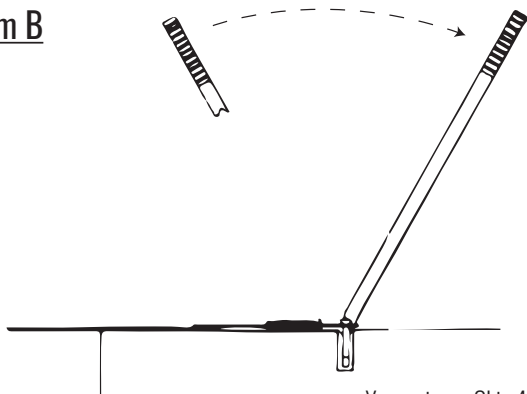
Insert the installation rod through rounded end of spring. (Diagram A)

Diagram A



Place heel of rod behind raised anchor. Slip spring over anchor by moving handle away from the pool wall. Step down on spring. Remove installation rod by rotating 180 degrees and cover is then installed. (Diagram B)

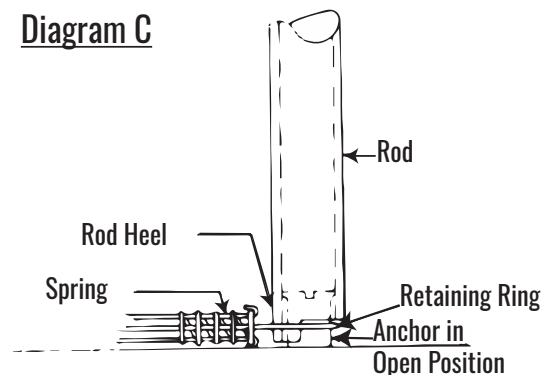
Diagram B



COVER REMOVAL

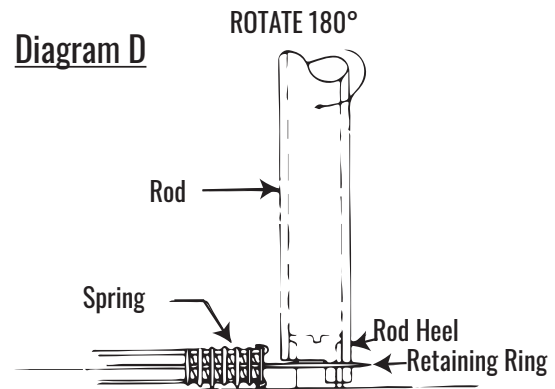
Insert installation rod over anchor with notch away from pool. (Diagram C)

Diagram C



Next, press down and rotate 180 degrees. Heel of rod will force spring free of anchor. Tilt rod to release spring (Diagram D)

Diagram D



UP-AND-OVER RAISED WALL OR STEP INSTALLATION

UP-AND-OVER APPLICATION INCLUDES THE FOLLOWING ITEMS:

- Triangular flap sewn to cover or up-and-over triangular gap filler
- D-rings sewn to cover
- Secur-A-Gap sewn to cover
- Foam insert for Secur-A-Gap
- Cable Mate anchors
- Cable Mate tamping pin

STEP 1: (TRIANGULAR FLAP SEWN COVER)

- Use raised area as the starting point for the cover installation.
- Be sure triangular flaps are lined up properly to block the gap created from cover going up and over the raised wall or step. The flap should be pulled tight against the rise.
- Continue with cover installation once properly aligned

STEP 1: (TRIANGULAR WEDGE GAP FILLER)

- Center the cover over the pool to achieve consistent overlap on all sides.
- Install cover as instructed on page #1
- The raised deck will result in a triangular opening as the cover changes elevation
- Insert the triangular gap filler in this opening, and use the provided plastic clips to attached to cover edge
- Locate the D-Ring sewn onto the cover edge near the bottom of the gap filler.
- Install a wall anchor into the deck, which will accept this D-Ring and act as a cover hold down point

STEP 2:

- When cover is installed, locate D-ring position and adjust flap so it is taught and completely closes gap. Mark anchor location.

STEP 3:

- Drill holes using 3/8" drill bit. Hole should be drilled 2-1/2". Clear hole of any debris.

STEP 4:

- Remove Cable Mate Wall Anchor from expansion casing.
- Using the wall anchor tamping tool, tap the expansion casing into the 3/8" hole.

STEP 5:

- Thread Cable Mate Anchor with washer into the expansion casing.

STEP 6:

- Insert foam into Secur-A-Gap on flap.

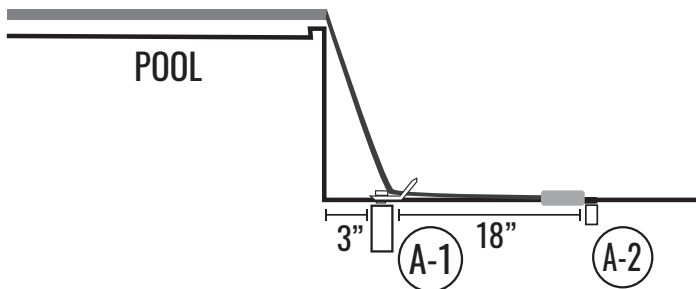
STEP 7:

- Attach D-Ring to Cable Mate Anchors.



STRAP HOLD DOWN COLLAR INSTALLATION INSTRUCTIONS

SAFETY COVER



HOLD DOWN COLLAR INSTALLATION EXAMPLE

STEP 1:

- Install 2" anchor casing in deck at least 3" away from raised wall (See A-1).

STEP 2:

- Place "strap hold down collar" over anchor.
- Screw down anchor insert to hold the strap hold down collar in place.

STEP 3:

- Install Standard 1⁵/₈" anchor approximately 18" beyond hold down collar. (See A-2).

STEP 4:

- Feed strap through hold down collar. Attach spring to strap, attach spring to anchor #2.

RAISED WALL APPLICATIONS

CABLE KIT INCLUDES:

- Stainless Steel Cable – Length equals distance of wall plus 10 feet
- (4) Stainless Steel cable clamps
- Turnbuckle
- (2) Extra Long (2") brass anchors
- Cable Mate wall anchors – one for every 18" of raised wall
- Wall anchor tamping tool

STEP 1:

- Use raised wall area as starting point for installation.
- Install Extra Long (2") brass anchor at each end of the raised wall. These anchors will be used to attach the cable.

STEP 2:

- Locate Cable Mate Wall Anchor positions.
- To ensure cover is level, install wall anchors at the same level as the deck.
- Cable Mate Wall Anchors should be installed every 3' on straight walls and every 18" on tight radius walls.

STEP 3:

- Drill holes using 3/8" drill bit. Hole should be drilled 2-1/2" deep into masonry wall. Clear hole of any debris. Hole will be slightly deeper than anchor shaft.

STEP 4:

- Remove Cable Mate Wall Anchor from expansion casing.
- Using the wall anchor tamping tool, tap the expansion casing into the 3/8" hole.

STEP 5:

- Thread Cable Mate Wall Anchor with washer into the expansion casing all the way until contact is made with the wall

STEP 6:

- Using a screwdriver for leverage, turn the Cable Mate Wall Anchor in a clockwise direction to set the anchor. Be sure the cable slot is facing upward.
- Continue installing remaining Cable Mate Wall Anchors.

STEP 7: INSTALL CABLE

- Create a loop on one end of the cable using two cable clamps. The loop must be large enough to fit over cement anchor.
- Hook looped end of cable on one of the Extra Long (2") brass anchors that was installed in step 1 above and run cable through slots in the Cable Mate Wall Anchors to opposite end of raised wall.
- Attach the turnbuckle to end of the cable using the remaining SS Cable Clamps.
- Hook the open end of the loosened turnbuckle to the second Extra Long (2") brass anchor that was installed in Step 1.
- Tighten turnbuckle so cable is tight. Note: proper installation requires that the gap between cover and wall must not exceed 4". If gap larger than 4" exists, you may need to add more wall anchors to pull cover closer to the wall and/or tighten cable to reduce any slack.

STEP 8:

- Insert Secur-A-Gap foam filler into sleeve sewn into cover along raised wall.

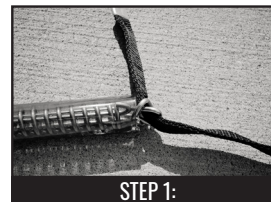
STEP 9:

- Next, position the cover on the pool to begin installation. Cover should be attached to cable area first. Fasten snap hooks on the underside of the cover to the cable.

STEP 10:

- Mark and install anchor locations on the opposite side of the pool from the raised wall. Install those cross straps and ensure they are straight and tight.
- Continue installing cover using Custom Cover installation instructions on Page 1.

ATTACHING SPRING TO STRAP



STEP 1:



STEP 2:



STEP 3:

REPLACEMENT COVER (TEMPLATE COVER) INSTALLATION

NOTE: FOR VIDEO ON INSTALLING A GLI "REPLACEMENT/TEMPLATE" COVER, VISIT WWW.COVERDOCTORS.COM/S.NL/SC.68/F

- In order to have the new cover fit like the old cover and to use the existing anchors, the springs have to be installed in the same location on each strap as the old cover. The trick to getting this done is to treat the installation as a new cover installation, starting at the center of the cover and working your way out. Second, it is very important to know what the overlap will be.
- WARNING: DO NOT START AT ONE END AND WORK YOUR WAY TO THE OPPOSITE END. THIS TECHNIQUE WILL RESULT IN STRAPS NOT LINING UP WITH EXISTING ANCHORS AND INSUFFICIENT OVERLAP ON ONE END OF POOL.**

STEP 1:

- Determine how much cover overlap you will have all the way around the pool.
 - When installing a replacement cover, many times the deck will have a stain line from the old cover. If so, use that stain line as a guide for the overlap of your new cover.
 - If no stain line, measure the exact dimensions of the pool and the cover to determine overlap. Example: If cover is 2' longer and wider than the pool, your overlap will be 1' all the way around the pool. If cover is 3' longer and wider than pool, your overlap will be 1'6" all the way around pool.

STEP 2:

- Stretch cover across pool and lay out one spring at each strap location.

STEP 3:

- See Fig. #2 and locate your pool type. Begin by locating straps 1 to 4 and aligning with existing anchors on deck.
 - If your pool deck has stain lines from the old cover, adjust the springs so when installed the cover will line up with the edge of the stain line.
 - Install spring #1 and #2. See instructions for attaching spring to strap on page 3.
 - Attach spring to existing anchor.
 - If your pool deck does not have stain lines, make a chalk mark on the deck at the point where your overlap should be. If you have determined you will have a 1' overlap, make a chalk mark on the deck 1' from the edge of pool at each strap location. Adjust the spring so when installed the cover will line up with the edge of the chalk line.
 - Install spring #1 and #2. See instructions for attaching spring to strap on page 3.
 - Attach spring to existing anchor

STEP 4:

- Move to opposite side of the pool and install spring #3 and #4. Making sure they are adjusted for proper overlap. Attach spring #3 and #4 to existing anchors using installation rod. See instructions for attaching spring to anchor using installation rod on page 2.
- Note: You may not get enough tension on the first 8 springs to completely line up with your overlap. However, as you proceed with the installation, the cover will lift into the proper position. The key is to keep even overlap on all sides of the cover during installation.

STEP 5:

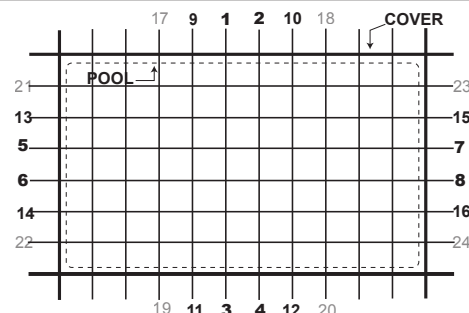
- Move to the center lengthwise straps and install #5, #6, #7 and #8, keeping even overlap on both ends of the cover.

STEP 6:

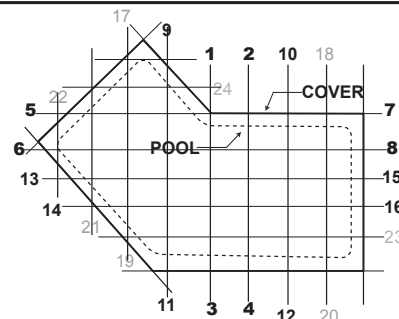
- After completing the initial installation of the first 8 springs, install remaining springs working from center of the cover to the ends. Remember to alternate sides as you go and keep even overlap on all sides.
- Once all springs are installed, adjust spring tension equally on all springs, making sure overlap is equal all the way around pool and that the cover lies perfectly flat. Springs should be compressed about 60% to 70% for taunt fit.

FIG. 2

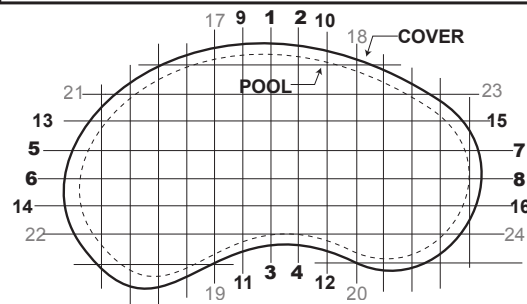
RECTANGLE COVER



LAZY-L COVER



CUSTOM COVER



SAFETY COVER CARE & MAINTENANCE

- The springs should be very taut upon initial installation. In time, the cover will relax and the tension will ease.
- The cover is designed to screen out leaves and other debris. Clear water can only be maintained if proper levels of chlorine and algaecide are maintained.
- Be sure not to drop the pool's water level more than 18" from top of pool during winter months. Failure to do so will place undue strain on the cover and void the warranty.
- Debris may be easily hosed off a properly installed cover.
- Removal and subsequent installation is made easier if the cover is fan-folded.
- Store the cover in the mesh storage bag included. Hang the bag off the floor so the cover can drain.
- Flush out anchor casings with a hose several times a year to prevent sticking. Spray anchor and casing with silicone.
- For solid cover owners: To clean the debris screen, remove cover, open and fold back the mesh panel on top of the cover. Hose the filter screen off from behind to remove fine debris. Close panel and store.
- FOR SOLID COVERS:** Cover must be suspended above the pool's water level in order to drain. Excessive melting snow and spring rain can raise the pool's water level too high for cover to drain. If this occurs, simply drain some water from the pool until the cover is suspended above the pool's water level. Be sure not to drop the pool's water level more than 18" from the top of pool. Straps and springs may need tightened to achieve proper tension.

! WARNING AVOID DROWNING RISK

- STAY OFF COVER.
- SUPERVISE CHILDREN.
- REMOVE COVER COMPLETELY BEFORE USE.
- IMPROPERLY SECURED COVERS ARE A HAZARD.
- FAILURE TO FOLLOW ALL INSTRUCTIONS MAY RESULT IN INJURY OR DROWNING.
- MEETS OR EXCEEDS STANDARD PERFORMANCE SPECIFICATION SET FORTH IN ASTM: F1346-01 FOR MANUAL SAFETY COVER.
- INSPECT COVER ANNUALLY FOR DAMAGE.
- DO NOT REMOVE THIS LABEL.

DATE INSTALLED:

215 SINTER COURT • YOUNGSTOWN, OHIO 44510
1-800-448-2343

